

MUJIE 慕杰®

YOUR AUTOMATION, YOUR MUJIE!

外径 $\phi 58$,空心轴,孔径 $\phi 15$
可承受较高的轴向和径向负荷
长线驱动输出型,抗干扰能力强,
可长距离传输

external diameter $\Phi 58$, hollow shaft, hole diameter $\Phi 15$. It can bear high axial and radial loads. It is a long-distance drive output type with strong anti-interference ability and long-distance transmission



旋转编码器MT58S系列

M58S Incremental encoder series

► 型号说明 Model Explanation

| MT | 58 | S | 15 | -L- | (1024) | BZ | 5 | C | 2 | □ |
|---|--------------------|-------------------------------------|------------------------------|---|-------------------------------------|--|---|---|------------------------|--------------------------------|
| 基本型号 Model M:常规增量型 Incremental encoder M□: 特殊型号定义 Special definition | 主体外径OD 58:Φ58mm | 轴型Shaft type: 实心轴 Solid shaft | 轴直径: 15:Φ15mm 10:Φ10mm | 输出方式 Output configuration : F:推挽输出 Push-pull C:集电极开路 Open collector E:电压输出 Voltage L:AM26LS31驱动输出Driver output (driving element AM26LS31) T:ICH7长线驱动输出Driver output (driving element ICH7) | 脉冲数/分辨率 Resolution 10-2500P/R | 输出相 Outputsignal: B:AB两相 BZ:ABZ三相 | 电压 Supply voltage 5:5V 5-26:5~26V | 出线方式 Outlet way G:侧出线 Side outlet F:侧出线防水 Side outlet waterproof C:航插 Plug | 线缆长度 Cable 2: 2m | 客户定制 Customized informat |

► 电缆线色说明 Cable Color Explanation

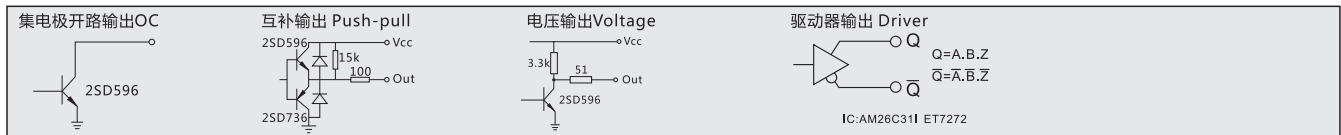
| 信号线Signal | VCC | 0V | A | B | Z | A/ | B/ | Z/ | 屏蔽线Shield |
|--------------|------|--------|--------|--------|---------|--------|-------|---------|-----------|
| 5芯电缆线5 wires | 红Red | 黑Black | 绿Green | 白White | 黄Yellow | - | - | - | N.C |
| 8芯电缆线8 wires | 红Red | 黑Black | 绿Green | 白White | 黄Yellow | 棕Brown | 灰Gray | 橙Orange | N.C |

注1: 电缆颜色若有更改, 恕不另行通知, 请以编码器标签或说明书上的颜色定义为准。Note1: Please refer to color table or product instruction to connect wires.Chang of wire color will not be informed respectively.
注2: 电缆线标准线长2米, 如需其他规格在订货中备注说明。Note2: Standard cable length is 2m.Other length can be customized.

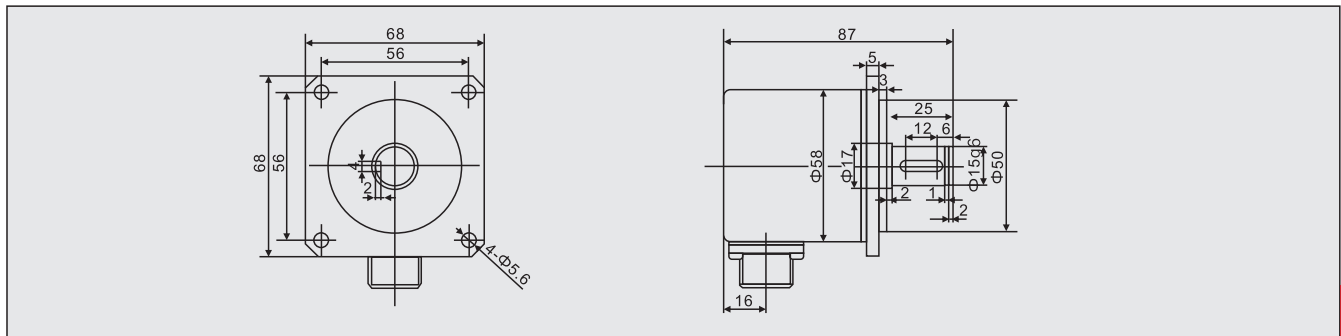
► 技术规格 Specification

| 电气参数 Electric parametar | | | |
|-------------------------------------|--------------------------------------|-------------------------|-------------------------------|
| 输出电路 Output circuit | 驱动器 Drivers L | C、E、F | 驱动器 Drivers T |
| 电源电压Mains voltage | +5V±5% | +5V~24v | +8V~24V |
| 消耗电流Current consumption | ≤60mA | ≤60mA | ≤60mA |
| 允许负载Allowable load | 20mA | 30 mA | 20mA |
| 信号高电平Signal high electrical level | ≥2.5V | ≥VCC*70%V | ≥VCC*70%V |
| 信号低电平Signal low electrical level | ≤0.5V | ≤0.5V | ≤0.5V |
| 上升/下降时间Rise /down time | ≤100ns | ≤1us | ≤100ns |
| 响应频率Response frequency | 100KHz | 100KHz | 100KHz |
| 机械及环境参数Mechanical and Environmental | | | |
| 径向负载 Radial load | ≤30N | 抗冲击 Concussion resist | 1000m/s ² , 6ms |
| 轴向负荷Axial load | ≤15N | 抗振动Vibration resist | 100m/s ² ,10~200Hz |
| 起动力矩 Storque | ≤2×10 ⁻³ N.m | 工作温度Working temperature | - 20°C~+85°C |
| 最高转速 Tiptop rotate speed | 6000r/min | 储存温度Storing temperature | - 20°C~+85°C |
| 转动惯量 Runing inertia | 20g/cm ² | 相对湿度Relatively humidity | ≤RH85%无结露No icing |
| 允许角加速度Allowable acceleration | 1×10 ⁴ rad/s ² | 防护等级Protect grade | IP56 |
| 重量weight | 约About 0.5kg | | |

► 电路输出方式(示例) Example for output circuit



► 安装尺寸图 Mounting Dimensions(单位Unit:mm)



编码器/磁栅尺
Encoder/Magnetic Scale

位移/倾角/计数器
Displacement/Inclination/Counter

接近/加速度/温度
Proximity/Acceleration/Temperature

光电/超声波/区域
Photoelectric/Ultrasonic/Area

压力/称重
Pressure /load cell

联轴器/附件
Couplings/Accessories